

DX Series Touch Panel



1. Technical Specs:

DX1 Dimming Touch Panel

- Input Voltage: 100~240V AC
- Output Signal: RF 2.4G + DMX512
- RF Remote Distance: 30m
- Control Mode: Sync Control
- Working Temperature: -30°C~55°C
- Package Size: L113×W112×H50(mm)
- Weight(N.W.): 225g

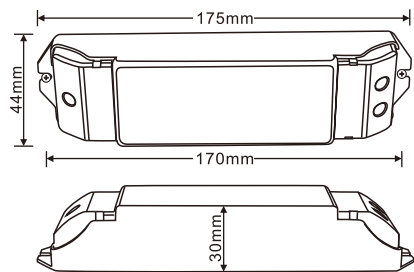
R4-5A CV Receiver

- Input Voltage: 5~24V DC
- Max Current Load: 5A × 4CH Max. 20A
- Max Output Power: 100W/240W/480W(5V/12V/24V)
- Working Temperature: -30°C~55°C
- Package Size: L178×W48×H33(mm)
- Weight(G.W.): 150g

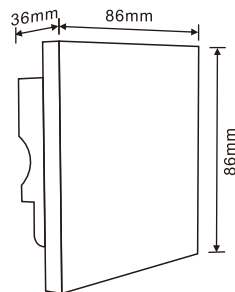
R4-CC CC Receiver

- Input Voltage: 12~48V DC
- Output Voltage: 3~46V DC
- Output Current: CC 350/700/1050mA×4CH
- Output Power: 1.05W~48.3W×4CH Max193.2W
- Working Temperature: -30°C~55°C
- Package Size: L178×W48×H33(mm)
- Weight(G.W.): 165g

2. Product Size:



R4-5A/R4-CC Receiver

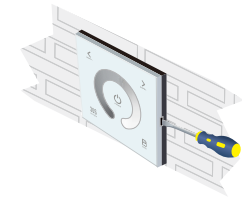


Touch Panel

3. Installation Instruction:

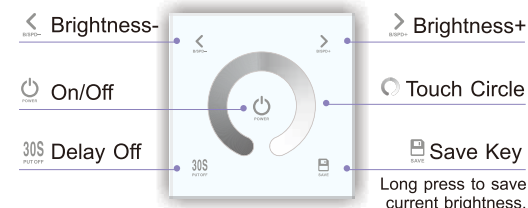


Install



Uninstall

4. Key Functions:



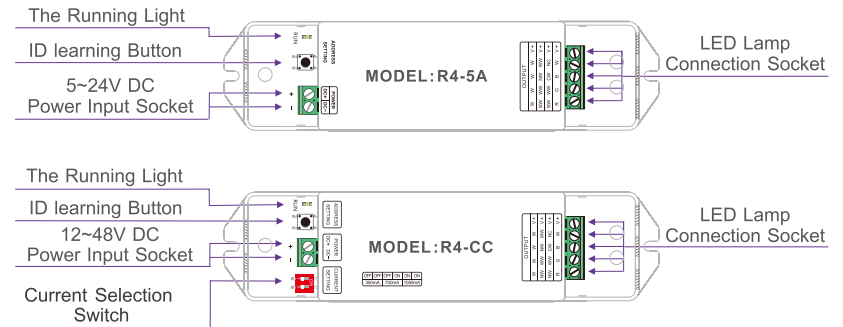
* Long press to turn on/off the tone.

5. Terminals:



100-240V AC Power Input Socket DMX Signal Output Socket

6. Operating Instruction for Receiver:



(Operation Table)

OFF	OFF	OFF	ON	ON	ON
350mA	700mA	1050mA			

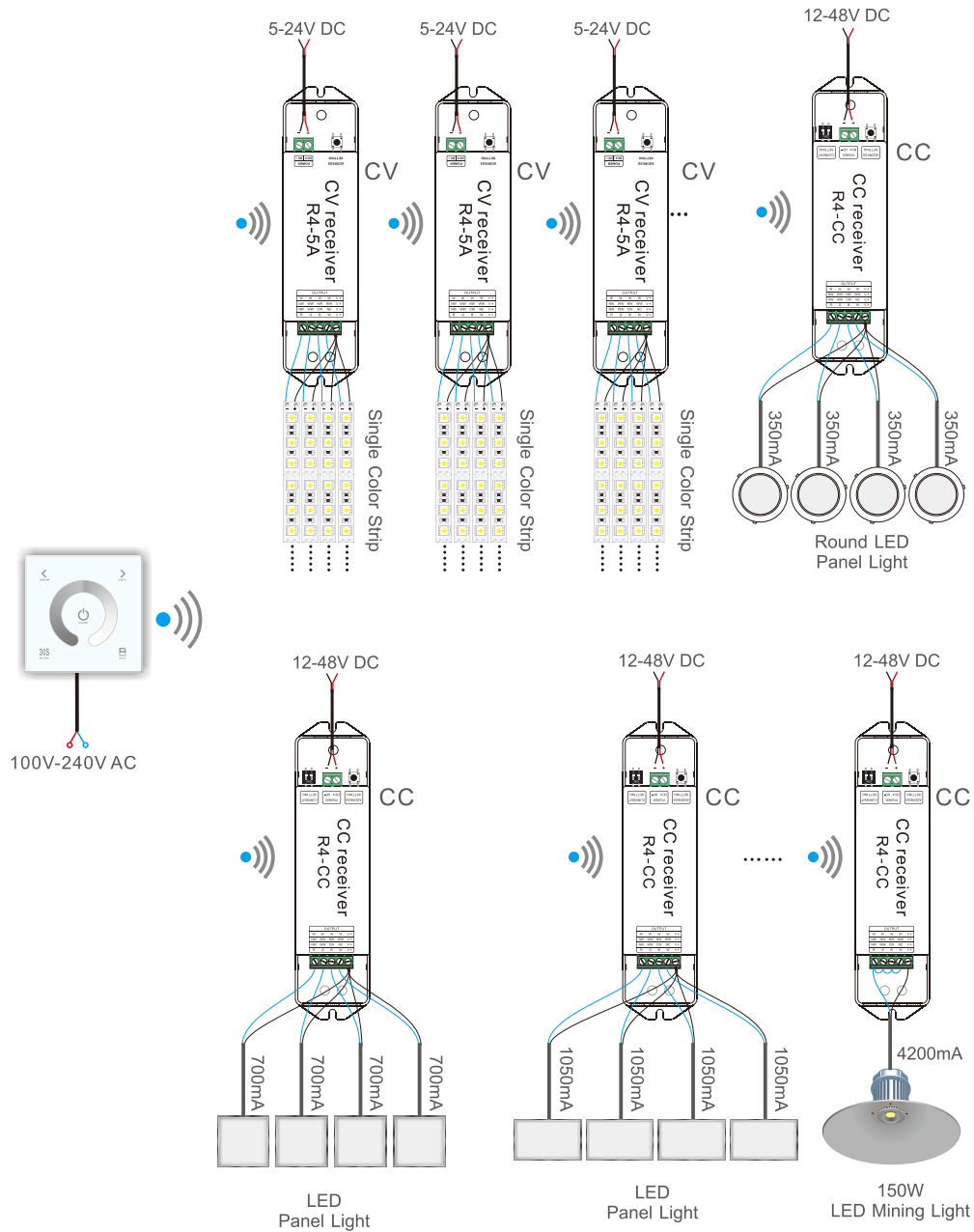
7. The Learning ID Method :

Learning ID: Short press "ID learning button" on the R4-5A/R4-CC receiver, the running light keeps on. Then press any zone No. on the DX7 touch panel, the buzzer long beep, activated. the receiver accept zone control.

Canceled ID: Long press "ID learning button" on the R4-5A/R4-CC receiver for 5s, the buzzer long beep, canceled.

Att: Multiple receivers could be synced to each zone.

8. Wiring Diagram 1 (Wireless Control):



9. Wiring Diagram 2 (Connect to DMX Decoder):

