

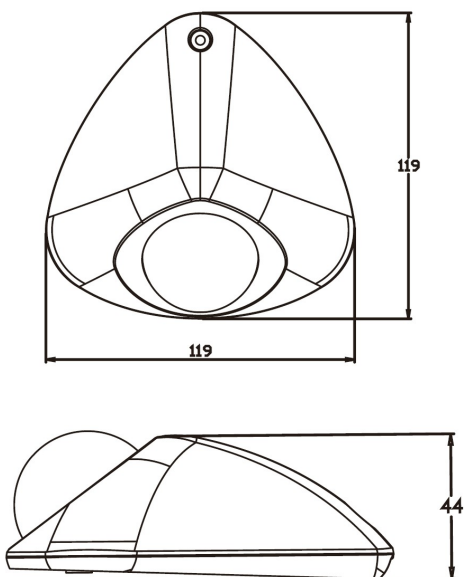
# HD SDI

## VICACK\*HD1080F



- 2.2M 1080P Full HD with Panasonic CMOS
- HD SDI (SMPTE292M)
- Composite Video output (750TV Lines)
- 3.0mm Wide Lens
- Digital Zoom Max 32x
- Day & Night
- Wide Dynamic Range
- Privacy Mask Function
- On Screen Display
- Intelligent motion detection
- Multi protocol support
- Compact size flat type dome housing in plastic

### DIMENSIONS



Unit : mm

MODEL	VICACK*HD1080F
Image Sensor	1/3" Panasonic CMOS
Total Pixels	2010(H) x 1108(V) = 2,227,080 (pixel)
Active pixels	1944(H) x 1092(V) = 2,122,848 (pixel)
Scanning system	Progressive
Resolution	Digital ; 1920x1080p(1080p/30fps) , 1280x720p(720p/60fps) Analog : 700TVL
Min. illumination	Color : 1.0 lux , BW : 0.5lux, Color DSS : 0.002 lux , BW DSS : 0.001 lux
Video Output	HD-SDI, Analog : NTSC, PAL(without WDR)
S/N Ratio	more than 50dB (AGC off)
BRIGHTNESS	0 ~ 20 steps
LENS	Manual
SHUT SPEED	Auto / Manual ( 1/30(1/25) ~ 1/60000 )
DSS	Off / x2 / x3 / x4
AGC	Off / On
WDR/BLC	Off / WDR / BLC
DAY&NIGHT	Auto / Day / Night / Ext
WHITE BAL	Auto / Preset / Manual / Indoor / Outdoor
SHARPNESS	0 ~ 10 steps
MIRROR	Off / H / V / H&V
FREEZE	Off / On
E.ZOOM	E.ZOOM
HLC	Off / On
ACE	Off / On
DNR	Off / Low / Middle / High / Auto
D.COMPRESS	OFF / ON
PRIVACY	Off / On (32 points)
MOTION	Off / On (4 points)
SHADING DET	Off / On
SHADING	Off / On
DEFECT DET	Off / On
DEFOG	Off / On
SYSTEM	NTSC / PAL
HD FORMAT	1080P / 720P
PG	Off / On
CVBS	Off / On
COMM	ID (1 ~ 255) BAUDRATE ( 2400 / 4800 / 9600 / 19200 / 38400 / 57600/115200 ) PROTOCOL (PELCO-P / PELCO-D / UPDATE)
DEFAULT	ON / DONE
Language	English
OSD Text	0 ~ 9 , A ~ Z , a ~ z
Power Source	DC12V±10%
Power Consumption	150mA
Power Input	DC JACK
Video Output(HD-SDI)	BNC CONNECTOR
Operating Temperature	-10℃ ~ +50℃ (Humidity : 0%RH ~ 80%RH)
Storage Temperature	-20℃ ~ +60℃ (Humidity : 0%RH ~ 90%RH)