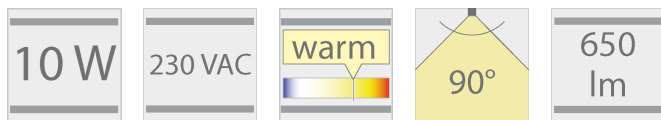
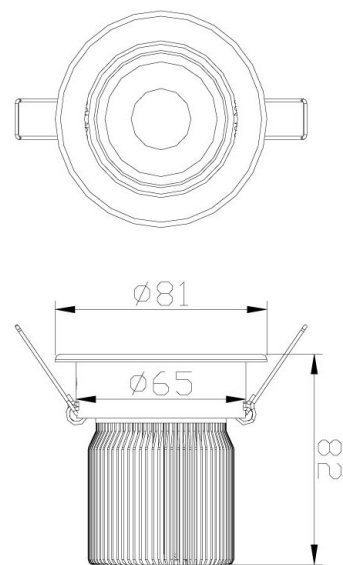
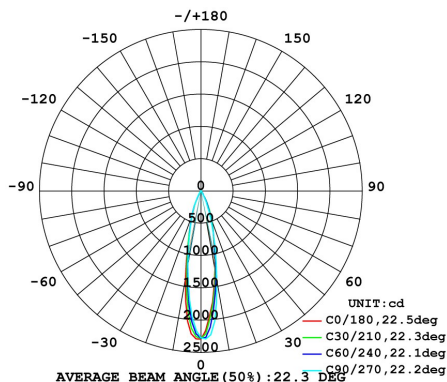
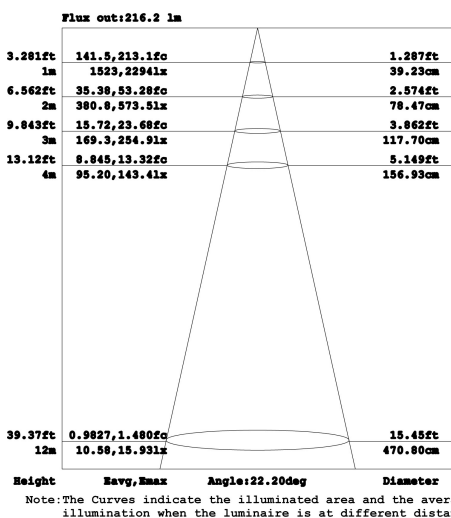


LTSPSC*W0810F

10W Spot weiß frosted Warm Weiss 650lm 90Grad
2800-3000K D80x80mm 230VAC



2800-3000K D80x80mm 230VAC
LED: COB-SMD, Einbau-Lochmaß: 65-70mm



Technische Daten:	Abmessung n (DxH) [mm]	Bestellnummer
10W Spot weiß klar Warm Weiss 650lm 90Grad	81x82	LTSPSC*W0810
10W Spot weiß frosted Warm Weiss 650lm 90Grad	81x82	LTSPSC*W0810F
10W Spot silber klar Warm Weiss 650lm 90Grad	81x82	LTSPSC*W0810S
10W Spot silber frosted Warm Weiss 650lm 90Grad	81x82	LTSPSC*W0810SF